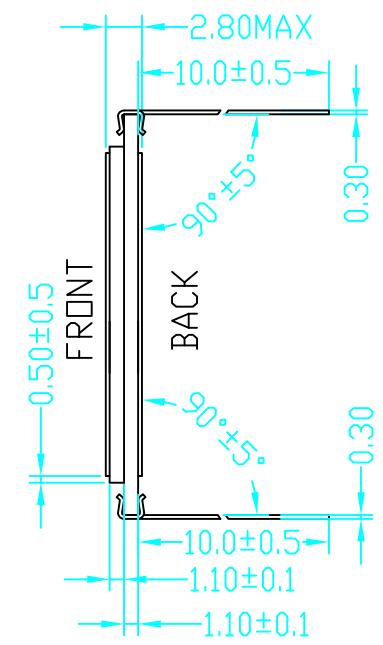
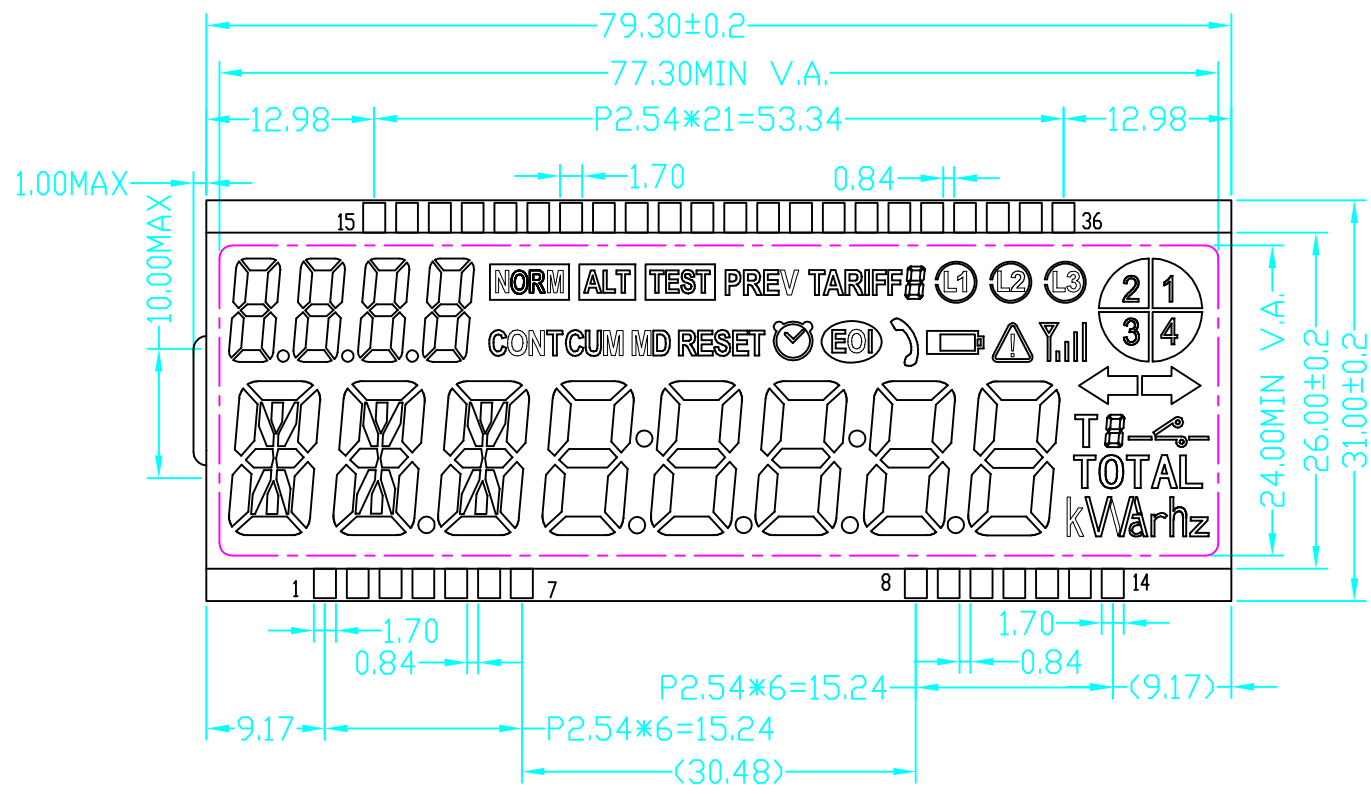
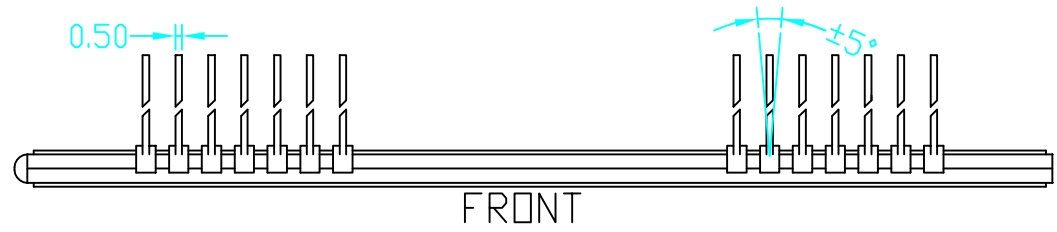


编号	修改记录
00	依M9319-05修改图案新增一款型号



1. DRIVING VOLTAGE : 3.3V, 1/6DUTY, 1/3BIAS	6. FRONT POLARIZER : TRANSMISSIVE(偏黄底色)
2. STORAGE TEMPERATURE : -30 °C TO 85 °C	7. BACK POLARIZER : REFLECTIVE
3. OPERATING TEMPERATURE : -20°C TO 80 °C	8. CONNECTORS : PIN=10.00MM
4. VIEWING DIRECTION : 6 O'CLOCK	9. SCREEN PRINTING :
5. DISPLAY MODE : HTN(3) POSITIVE	10. REMARKS :

MODEL No.: M9320				VER: 00	UNIT	MILLIMETRE
DESIGNER	ZZE	DATE	19-08-02	PAGE	1 OF 2	
CHECKED	JOAN	DATE	19-08-02			
APPROVED	HLJ	DATE	19-08-02			